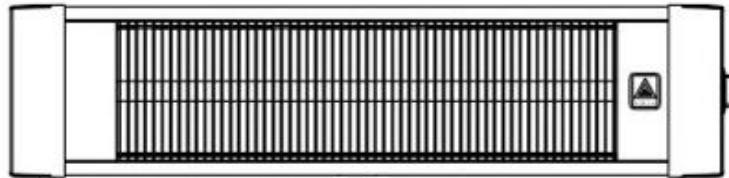


VERSONEL[®]

Wall Mount Indoor/ Outdoor Heater



INSTRUCTION MANUAL

Model: VSLWMH100

Versonel | New Holland, PA

www.versonel.com

Introduction

The Versonel VSLWMH100 Wall Mount Indoor Outdoor Heater contains an infrared quartz heating tube and formed reflector heating system that provides even heat distribution.

Features and Benefits

The Versonel infrared quartz heater provides an average of 30%-40% electricity energy usage versus a traditional heater.

Heater Description

Aluminum Reflector - The aluminum reflector efficiently reflects the short wave heat from the infrared quartz heating tube.

Mounting - The back of the infrared heater has threaded holes for easy wall mounting with the included mounting brackets.

IMPORTANT INSTRUCTIONS

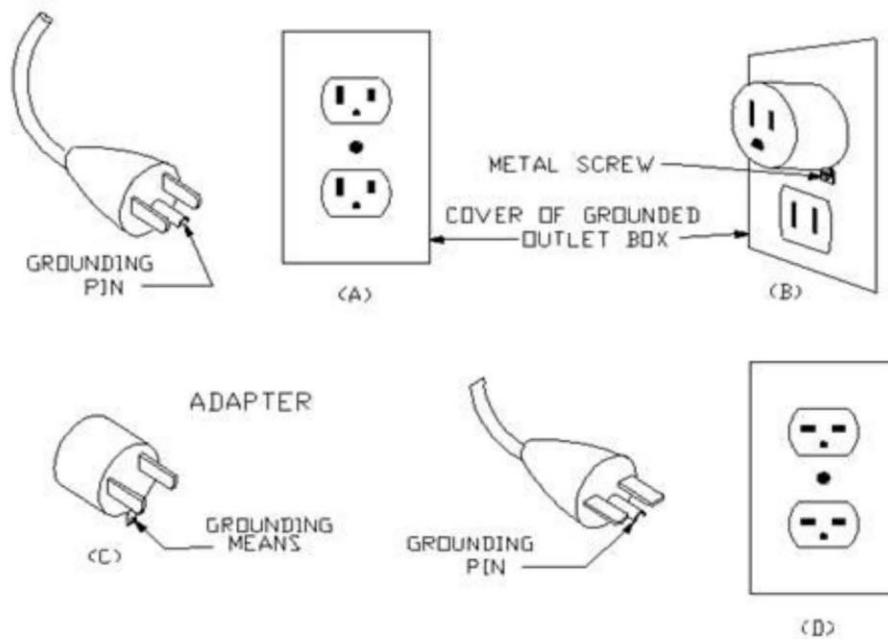
When using electrical appliances, basic precautions should always be followed to reduce the risk of fire, electric shock, and injury to persons, including the following:

- Read all instructions before using this heater.
- This heater is hot when in use. To avoid burns, do not let bare skin touch hot surfaces. If provided, use handles when moving this heater. Keep combustible materials, such as furniture, pillows, bedding, papers, clothes, and curtains at least 3 feet (0.9 m) from the front of the heater and keep away from the sides and rear as well.

- Extreme caution is necessary when any heater is used by or near children and the heater should never be left operating while unattended.
- Always unplug heater when not in use.
- Do not operate any heater with a damaged cord or plug or after the heater malfunctions, has been dropped or damaged in any manner. Discard heater, or return to authorized service facility for examination and/or repair.
- Do not use exposed in outdoors with direct access to weather precipitation. Unit can be used outdoors in a covered area.
- This heater is not intended for use in bathrooms, laundry areas and similar indoor locations. Never locate heater where it may fall into a bathtub or other water container. Also, this unit should not be used in a greenhouse.
- Do not run cord under carpeting. Do not cover cord with throw rugs, runners, or similar coverings. Do not route cord under furniture or appliances. Arrange cord away from traffic area and where it will not be tripped over.
- To disconnect heater, turn controls to off, then remove plug from outlet.
- Connect to properly grounded outlets only.
- Do not insert or allow foreign objects to enter any ventilation or exhaust opening as this may cause an electric shock or fire, or damage the heater.
- To prevent a possible fire, do not block air intakes or exhaust in any manner. Do not use on soft surfaces, like a bed, where openings may become blocked.
- A heater has hot parts inside. Do not use it in areas where gasoline, paint, or flammable liquids are used or stored

- Use this heater only as described in this manual. Any other use not recommended by the manufacturer may cause fire, electric shock, or injury to persons.
- Always plug heaters directly into a wall outlet/receptacle. Never use with an extension cord or relocatable power tap (outlet/power strip).
- PLEASE SAVE THESE INSTRUCTIONS FOR FUTURE USE

GROUNDING INSTRUCTION - This heater is for use on 120 volts. The cord has a plug as shown at A in below Figure. An adapter as shown at C is available for connecting three-blade grounding-type plugs to two-slot receptacles. The green grounding lug extending from the adapter must be connected to a permanent ground such as a properly grounded outlet box. The adapter should not be used if a three-slot grounded receptacle is available.



SAFETY

General

Read all instructions before using your Infrared Quartz Heater. When using electrical appliances, basic precautions should always be followed to reduce the risk of fire, electric shock, and injury. Continual exposure to high intensity infrared radiation at close proximity could be harmful to skin or eyes. Although infrared quartz heating tubes do not emit ultra violet electromagnetic radiation, harmful burns can still result if operator come in close contact with the heating tube while operating at a high intensity.

High Temperature

Parts of the heater may exceed 392F. Contact with the heating tube, reflector, or metal parts near the heating tube, may cause severe BURNS. Let the heater cool at least 10 minutes before touching once shut off.

Electrical Safety

Observe all applicable local and national electrical codes and ensure that your heater is properly grounded. ALWAYS disconnect the external power line prior to servicing the heater. ALWAYS disconnect the power line AND any optional interlock circuits before installing or changing the heating tube. NEVER operate the heater with the heater end covers removed. DO not cover anything on the surface of heater as it may cause severe BURNS.

Fire Safety

- Obey the same fire safety rules you observe when you work with any hot plate, high intensity infrared heaters, propane or acetylene torches, soldering irons, and other equipment that gets very hot.
- Remove all solid, liquid, and gases that burns easily from heating area around the heater.
- Know where the nearest fire extinguisher is located and how to use it.
- Know how to put out fire from all types of material near the infrared heater.

MAINTENANCE

General

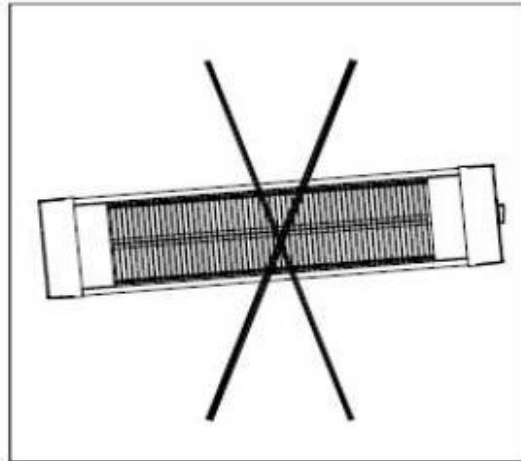
Periodic inspection and removal of dirt and contaminants from your unit will ensure that your heater can be operated safely. Check your unit as well as your heater cord and plug connections often. A loose fitting outlet can cause the plug to overheat or cause a fire. Be sure the plug fits tightly into the outlet and make sure the plug and outlet are not hot. If too warm, discontinue using heater and have outlet replaced by a qualified electrician. Heaters can draw more current than small appliances, overheating of the outlet may occur even if it has not occurred with the other appliances.

Heating Tube Maintenance

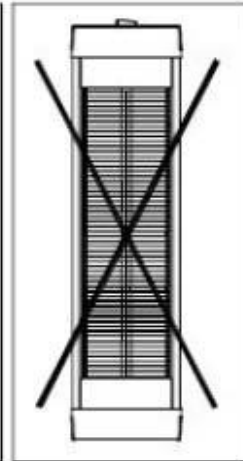
In dirty environments the heating tube may become contaminated with smoke, dust, fingerprints or other foreign matter. When this occurs it is recommended that the heating tube be cleaned as needed. Doing so will extend the life of heating tube and improve the heater's overall performance, using the following procedure:

1. Disconnect the power cable from the power source and allow the heater to cool before continuing.
2. Remove both end covers from the infrared quartz heater by removing the two screws from each end cover using a screwdriver.
3. Disconnect heating tube leads from terminal blocks.
4. Grasp heating tube end and pull the heating tube out of heater
5. Clean the heating tube with a soft, dry cloth or tissue. Wipe any residue from the surface of the heating tube. Household ammonia can be used to clean the heating tube if necessary.
6. Connect heating tube leads to terminal blocks.
7. Re-install both end covers, insert all four end cover screws, and tighten screw using a screwdriver.

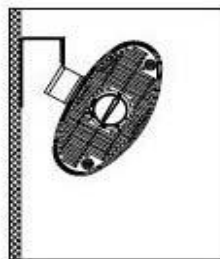
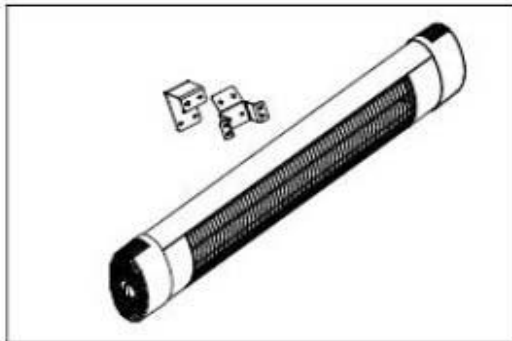
Installation



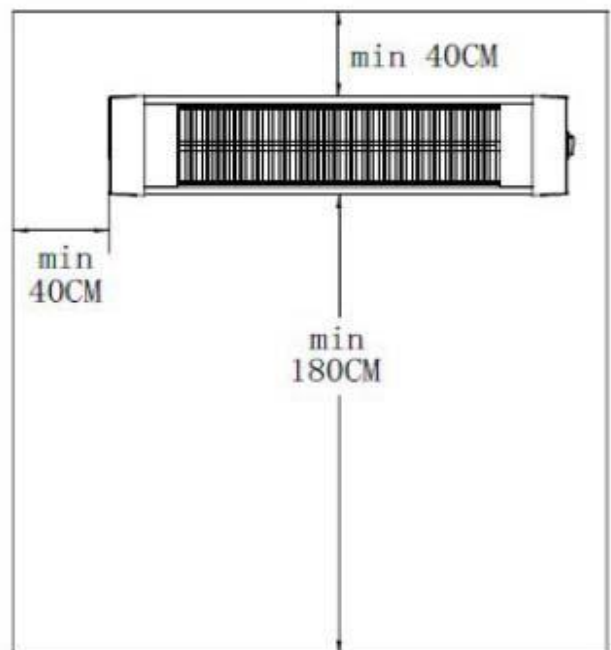
NO



NO



OK



The heater must be installed at least 6 feet above the ground.