

# VERSONEL™

## INFRARED QUARTZ HEATER

OWNER'S MANUAL

Model No. VSL1500H6E



Versonel | New Holland, PA

[www.versonel.com](http://www.versonel.com)



## PLEASE SAVE THESE INSTRUCTIONS

**WARNING: READ THIS OWNER'S MANUAL CAREFULLY BEFORE USE.**

---

Thank you for choosing a Versonel Infrared Quartz Heater. This owner's manual will provide you with valuable information necessary for the proper care and maintenance of your new product. Please take a few moments to thoroughly read the instructions and familiarize yourself with all the operational aspects of your new heater.

---

## IMPORTANT INSTRUCTIONS

When using this electric unit, basic safety precautions should always be followed to reduce the risk of fire, electric shock, and injury to persons, including the following:

1. Read ALL instructions before using this unit.
2. CAUTION: Risk of Electric Shock. DO NOT open or try to repair the heater yourself.
3. This heater may get hot when in use. To avoid burns, DO NOT let bare skin touch hot surfaces. If provided, use handles when moving this heater.
4. Keep combustible materials, such as furniture, pillows, bedding, paper, clothes, and curtains at least 3 ft from the front of the heater and keep them away from the sides, top, and rear. DO NOT place towels or other objects on the heater.
5. Extreme caution is necessary when any heater is used by or near children or the disabled, or when the heater is left operating and unattended.
6. DO NOT operate any heater with a damaged cord or after the heater malfunctions, has been dropped or damaged in any manner. Return heater to authorized service facility for examination, electrical or mechanical adjustment, or repair.
7. This heater is not intended for use in bathrooms, laundry areas and similar indoor locations. NEVER locate heater where it may fall into a bathtub or other water container. To protect against electrical hazards, DO NOT immerse in water or other liquids.
8. DO NOT touch the control panel or plug with a wet hand.
9. DO NOT run cord under carpeting. DO NOT cover cord with throw rugs, runners, or similar coverings. Arrange cord away from traffic area and where it will not be tripped over.

10. DO NOT insert or allow foreign objects to enter any ventilation or exhaust opening as this may cause an electric shock or fire, or damage the heater.
11. To prevent a possible fire, DO NOT block the air intakes or exhaust in any manner. DO NOT use on soft surfaces, like a bed, where openings may become blocked.
12. A heater has hot and arcing or sparking parts inside. DO NOT use in areas where gasoline, paint, explosive and/or flammable liquids are used or stored. Keep unit away from heated surfaces and open flames.
13. Always plug heaters directly into a wall outlet/receptacle. Never use with an extension cord or relocatable power tap (outlet/power strip).
14. To avoid fire or shock hazard, plug the unit directly into a 120 V AC electrical outlet.
15. To disconnect heater, turn controls to OFF, then remove plug from outlet. Pull firmly on the plug, DO NOT unplug by pulling on the cord.
16. Always unplug the unit before moving or cleaning, or whenever the heater is not in use.
17. Use only for intended household use as described in this manual. Any other use not recommended by the manufacturer may cause fire, electric shock, or injury to persons. The use of attachments not recommended or sold by unauthorized dealers may cause hazards.
18. Always use on a dry, level surface. Use on floor only.
19. DO NOT use outdoors.
20. WARNING: To reduce the risk of fire or electric shock, DO NOT use this unit with any solid-state speed control device.
21. DO NOT attempt to repair or adjust any electrical or mechanical functions on this unit. Doing so will void your warranty. The inside of the unit contains no user serviceable parts. Qualified personnel should perform all servicing only.
22. Connect to properly grounded outlets only.

## **SAVE THESE INSTRUCTIONS**

### **SPECIFICATIONS**

Voltage Rating	120V (60Hz)
Power Consumption	1500W
Unit Size	16.5 in. (W) x 13.1 in. (D) x 16.9 in. (H)
Unit Weight	18.7 lbs

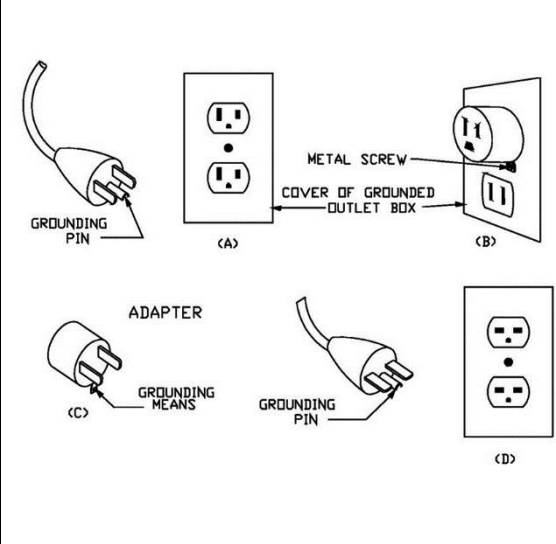
## SAFETY FEATURES

### Tip-Over Safety Feature

This heater is equipped with a tip-over safety feature. Once the heater is tipped over, an internal switch will automatically shut the heater off. Once the heater is restored an upright position, the heater will reset. To continue operation, turn on the heater using the supplied remote control or the control panel on the heater.

### Overheat Safety Feature

This heater is equipped with an overheat safety feature. When the heater's internal components reach a certain temperature that could cause overheat and possible fire, the heater will automatically shut off.



**WARNING:** This heater has a voltage rating of 120 volts. The cord has a plug as shown in A. An adapter as shown in C is available for connecting three-blade grounding-type plugs to two-slot receptacles. The grounding lug extending from the adapter must be connected to a permanent ground such as a properly grounded outlet box. The adapter should not be used if a three-slot grounded receptacle is available.

**DO NOT DEFEAT THE SAFETY PURPOSE OF THE GROUNDED PLUG.**

**WARNING:** It is normal for the power cord to feel warm to the touch; however, a loose fit between the outlet and the plug may cause overheating of the plug. If this occurs, try inserting the plug into a different outlet. Contact a qualified electrician to inspect the original outlet for damage.

---

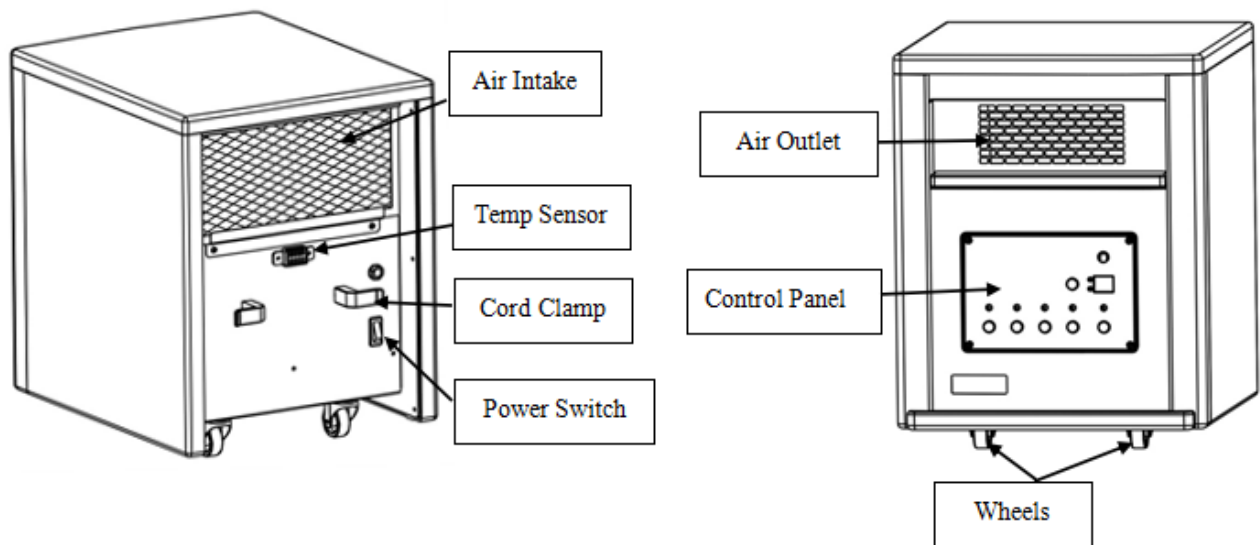
## IN THE BOX

- INFRARED QUARTZ HEATER
- REMOTE CONTROL(2 AAA batteries not included)
- INSTRUCTION BOOKLET

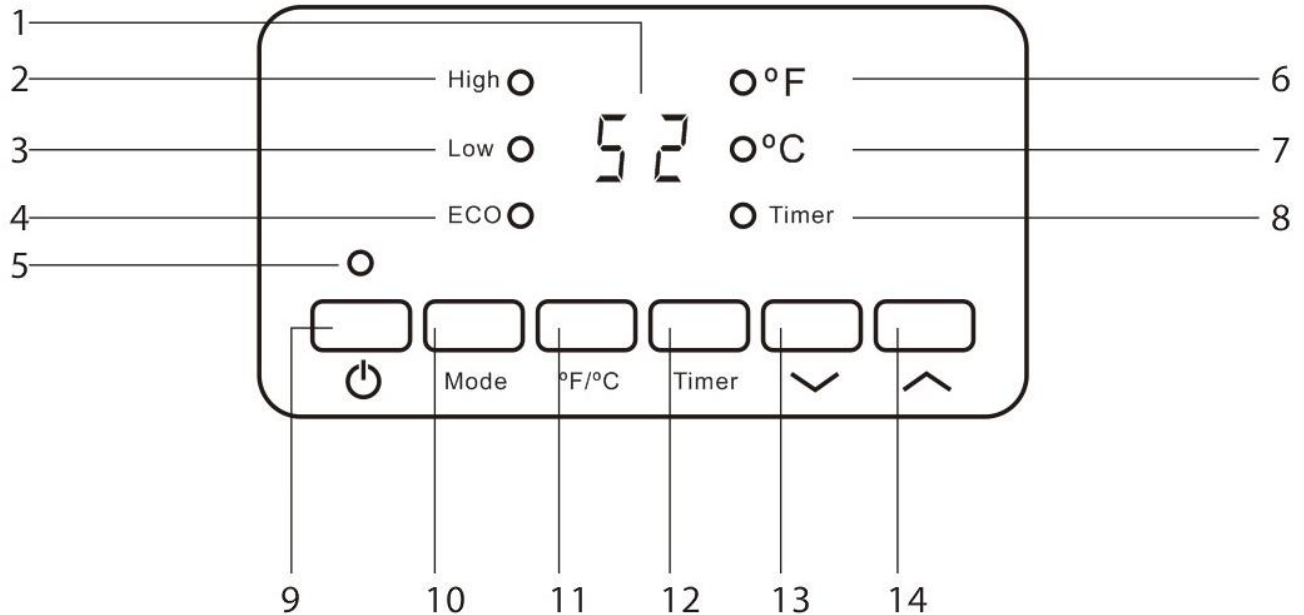
---

## PRODUCT DIAGRAM

---

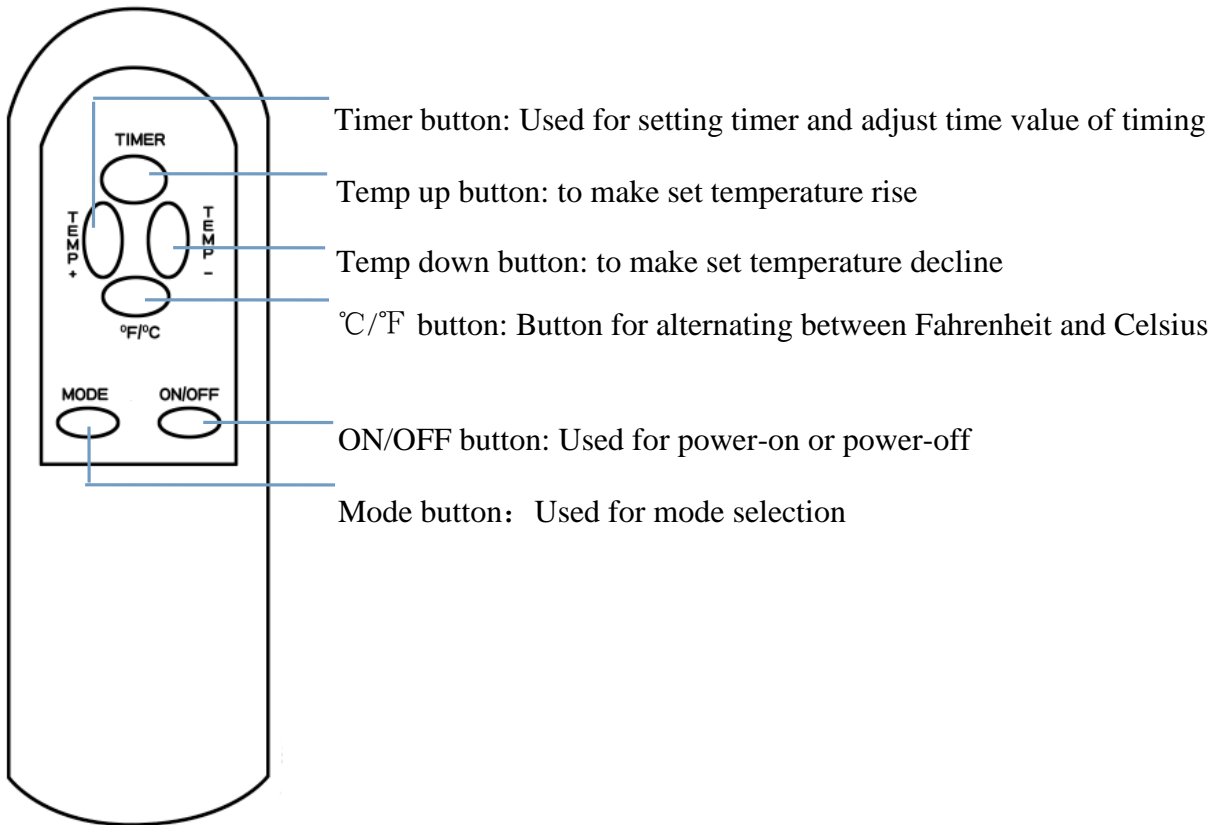


## Control Panel



1. Digital display: Indicates set room temperature or time.
2. High Mode indicator light: Will be lit when High Heat mode is engaged.
3. Low Mode indicator light: Will be lit when Low Heat mode is engaged.
4. Energy-saving mode indicator: Will be lit when energy-saving mode is engaged.
5. Signal receiving window: For receiving remote control signal.
6. Fahrenheit indicator light: Will be lit when temperature displayed is in Fahrenheit.
7. Celsius indicator light: Will be lit when temperature displayed is in Celsius.
8. Timer indication light: Will be lit when the Timer mode is engaged.
9. ON/OFF button: Powers the display on and off.
10. Mode button: To select between High, Low and Eco modes.
11. °C/°F Button: Alternates between Fahrenheit and Celsius.
12. Timer button: Used to engage timer mode and to set hour value for the timer.
13. Temp down button: To decrease desired temperature.
14. Temp up button: To increase desired temperature.

## Remote Control



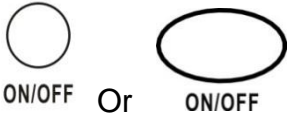
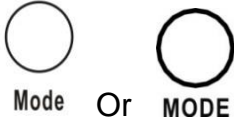

## PREPARATION

Place the heater on a firm, level surface and plug into a grounded 120V 60Hz power outlet. and turn on the power switch in the rear of the unit. Only operate heater in upright position with caster wheels attached.

Insert 2 AAA batteries into the remote control before using (Batteries Not Included)

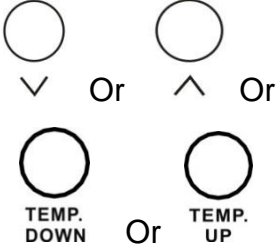
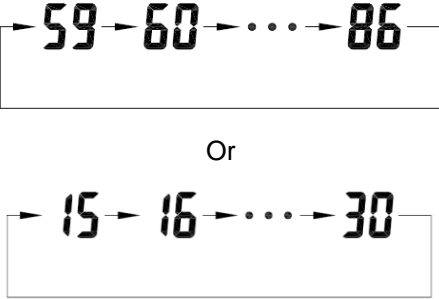
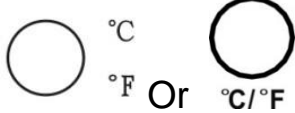
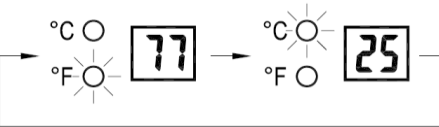
## OPERATING INSTRUCTIONS

### 1. Start and select working mode

	<p>Turn the heater on by pressing the ON/OFF button on the control panel or by pressing the Power button on the supplied remote control.</p> <p>Once power is off, heating element will stop working at first. Fan will prolong working for 3 minutes to emit plenty of heat inside <b>and to cool down all the heating elements.</b></p> <p>. This mark will indicate running during the 3 minutes.</p>
	<p>Select a heat Mode</p> <p>Press the MODE button to toggle between the three heat modes.</p>
	<p>High Mode uses 1500W; Low Mode uses 1000W. ECO mode is an Economic Energy Saving Function. When ECO mode is chosen, the heater will operate from less to more heating power (watts) in an attempt to maintain a constant warm 68°F (20°C).</p> <p><b>NOTE: When ECO Mode is on, the heater will not cycle on and off. Heater will continue working to maintain the desired temperature.</b></p>

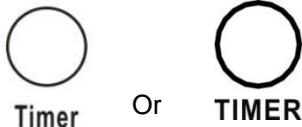
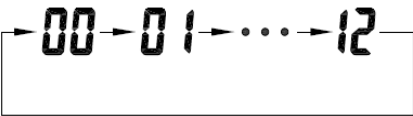



## 2. Setting Desired Temperature

	<p>Adjust the desired temperature by pressing the Up/Down arrows on the control panel or remote control.</p>
	<p>Desired temperature options vary from 59°F to 86°F, or from 15°C to 30°C. Once you have chosen the desired temperature, the heater will remain on until the room temperature increases to the temperature on the digital display. The heater will cycle on and off to maintain the desired room temperature.</p>
	<p>Press °C/°F button to change the display temperature between Fahrenheit and Celsius.</p>
	<p>The Fahrenheit indicator LED will light, when the temperature is displayed in Fahrenheit. The Celsius LED will light, when the temperature is displayed in Celsius.</p>



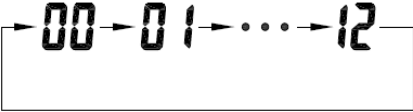

## 3. Setting the POWER OFF TIMER Function

Note: The Power-Off-Timer Function will allow for the heater to power OFF after a certain set time, and can only be set while the heater's display is in the "On" position.

	<p>Turn the heater to the "On" position. Press the Timer button on the heater's control panel or the remote.</p>
	<p>The digital display changes from the "temperature" to the "hours" option for the timer. Continue to press the timer button to change the number of hours you would like the heater to run before powering itself off. The hour options for the timer are from 0 to 12 hrs. (in 1 hr increments).</p>
	<p>The selected hour increments will flash for a few seconds, then revert back to the set desired temperature. The Timer indicator light will remain lit as long as the Timer is set. The heater will power OFF when the internal heater clock counts down the hour increments you set.</p>

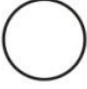
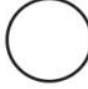
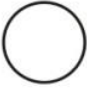
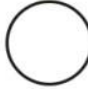
#### 4. Setting the POWER-ON-TIMER Function

Note: The Power-ON-Timer Function will allow for the heater to power ON after a certain set time, and can only be set while the heater's display is in the "Off" position.

 <span style="margin-left: 100px;">Or</span> 	<p>Turn the heater to the "OFF" position .Press the Timer button on the heater's control panel or the remote.</p>
	<p>The digital display shows the "hours" option for the timer. Continue to press the timer button to change the number of hours you would like the heater's internal clock to count down before powering itself on .The hour options for the timer are from 0 to 12 hrs. (in 1 hr increments).</p>
	<p>The Timer indicator light will remain lit as long as the Timer is set. The heater will power itself ON when the internal heater clock counts down the hour increments you set.</p>

#### 5. Setting electro lock

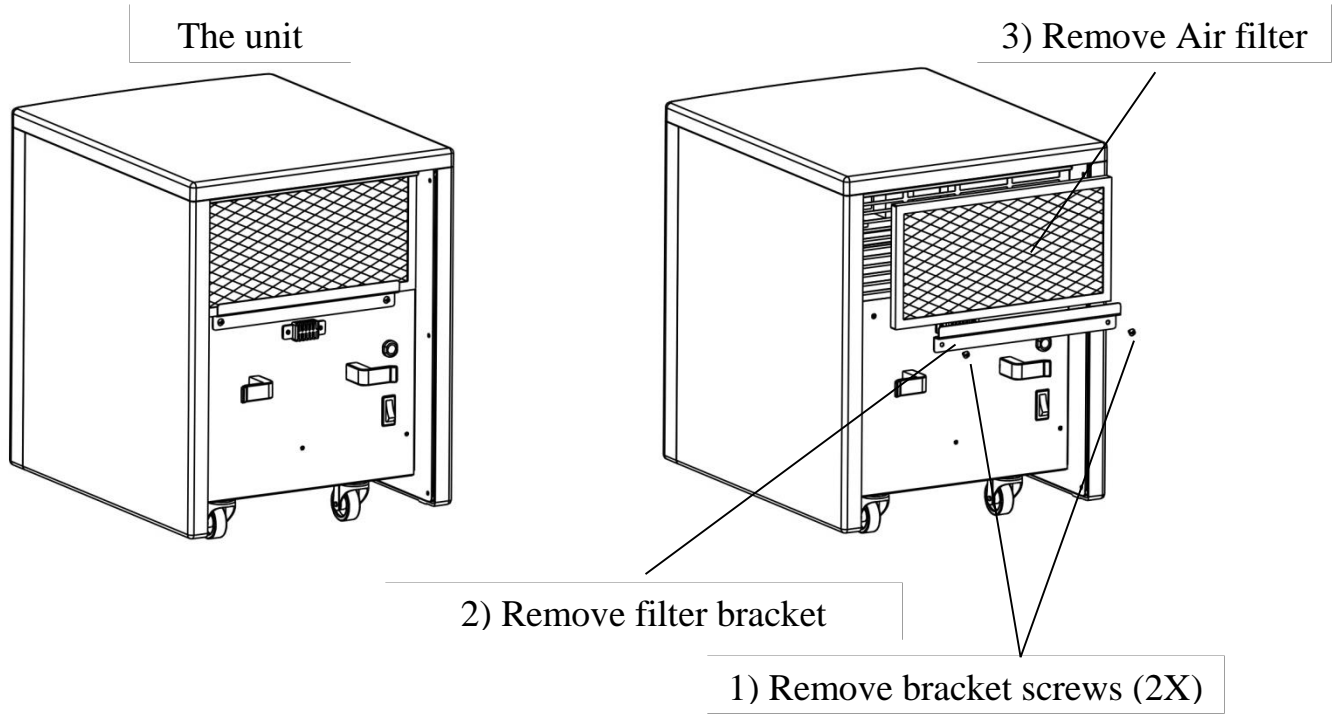
The Electro Lock can help avoid the heater from being accidentally engaged by children. The locking mechanism can be set in both the ON and OFF modes.

 <span style="margin-left: 100px;">And</span> 	<p>Press Temp Up and Temp Down buttons at the same time for 3 seconds. Locking is complete when you hear a beep. When locked, the functions of the control panel and remote will be locked for use.</p>
 <span style="margin-left: 100px;">And</span> 	<p>When you need to unlock it, press Temp Up and Temp Down buttons at the same time for 3 seconds. You will hear a beep .The control panel and remote control will become functional again.</p>

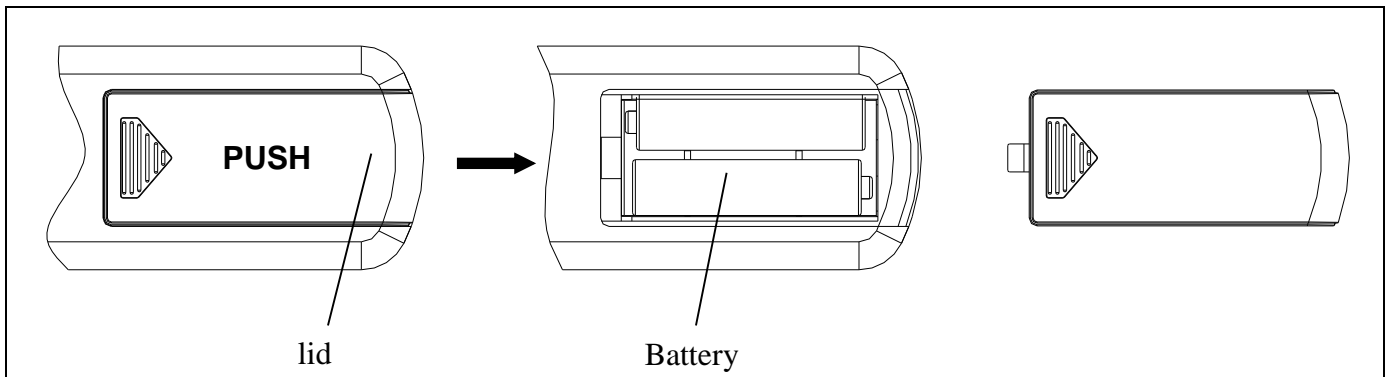
## MAINTENANCE

1. Turn off the power switch in the rear of the unit.
2. Unplug the unit and let it cool completely.
3. To keep the heater clean, the outer shell may be cleaned with a soft, damp cloth. You may use a mild detergent if necessary. After cleaning, dry the unit with a soft cloth. **CAUTION: DO NOT** let liquid enter the heater.
4. **DO NOT** use alcohol, gasoline, abrasive powders, furniture polish, or rough brushes to clean the heater. This may cause damage or deterioration to the surface of the heater.

5. DO NOT immerse the heater in water.
6. Wait until the unit is completely dry before use.
7. Air filter needs cleaning after being used for 3 months. Please take off the filter following the 3 steps in the drawing below. Flush and clean the filter with water and then, dry it out and re-assemble.



8. If you do not use the heater for a long time, please take out the remote batteries (to prevent corrosion) as shown below. Store the remote in a safe place.



---

## **STORAGE**

Store the heater in a cool, dry location when not in use. To prevent dust and dirt build-up, use the original packaging to repack the unit.

---

## **BASIC TROUBLESHOOTING**

If the heater will not operate, please check the following before seeking repair advice:

1. Check if the power cord is plugged into an electrical outlet, if not, plug in.
2. Check if electricity to the main power switch (in the back) is working.
3. Check to see if the battery on the remote is placed correctly, undamaged.

**NOTE:** For the heater to function properly, the desired temperature on the heater must be set a few degrees higher than the temperature in the room. If the heater does not seem to send out heat, increase the desired temperature on the heater to engage the heat elements.

**If you have any service questions or concerns, please visit us at [www.versonel.com](http://www.versonel.com)**