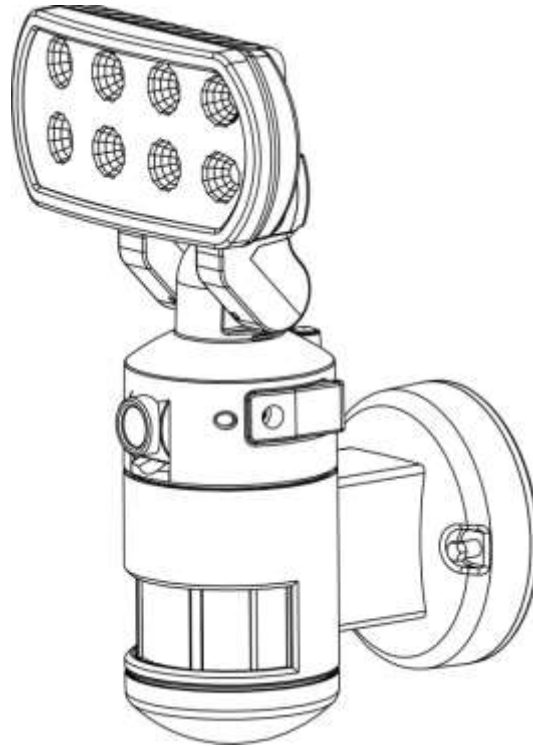




VSL-NWP702

USE AND CARE GUIDE

ROBOTIC LED FLOOD LIGHT WITH VIDEO CAMERA



OS Windows 2000 / XP / Vista / 7 / MAC
Micro Memory Card 1GB SD ~ 32GB SDHC (max) Class 4




Table of Contents


Table of Contents.....2
Safety Information.....2
Warranty.....3
 What Is Covered.....3
 What Is Not Covered.....3
Pre-Installation4
 Planning Installation4
 Tools and Hardware Required4
 Package Contents.....5


Specifications5
Nightwatcher Overview.....6
Installation.....7
Operation-Programing your Nightwatcher.....8-12
 Setting the Time and Date11
 Viewing Recorded Videos12
Troubleshooting.....12
Care and Cleaning.....13
F.A.Q. Section.....13

Safety Information

1. This device complies with Part 15 of the FCC Rules. Operation is subject to the following two conditions: (1) this device may not cause harmful interference, and (2) this device must accept any interference received, including interference that may cause undesired operation.
2. This equipment has been tested and found to comply with the limits for a Class B digital device, pursuant to Part 15 of the FCC Rules. These limits are designed to provide reasonable protection against harmful interference in a residential installation. This equipment generates, uses and can radiate radio frequency energy and, if not installed and used in accordance with the instructions, may cause harmful interference to radio communications. However, there is no guarantee that interference will not occur in a particular installation.
3. The installation of this light fixture must be done by a qualified electrician.
4. The motion sensor may not operate correctly if it is installed:
 - Near the outlet of a central heating boiler.
 - Near an air condition unit.
 - Pointing directly at moving vehicles.
 - Within sight of reflection from moving water.
 - Where other lights could be pointed onto the sensor.
 - Avoid installing the product where the direct sunlight could shine on the detector.

 **CAUTION:**
Do not immerse the light fixture in the water.
Do not mount the light fixture against flammable surfaces.

 **IMPORTANT:**
This light fixture must be grounded.

 **WARNING:**
Changes or modification to this unit not expressly approved by the party responsible for compliance could void the user authority to operate the equipment.
This Nightwatcher NW700 is a precision electronic device. Do not attempt to service this camera yourself, as opening or removing covers may expose you to the danger of electric shock or other risks.

Warranty

12 MONTH WARRANTY

WHAT IS COVERED

12 month limited warranty from date of purchase. Please retain proof of purchase. The manufacturer reserves the right to replace or repair the faulty unit.

WHAT IS NOT COVERED

The warranty does not cover damage to the unit that may occur as a result of improper installation. This product is designed to illuminate, it will not prevent the perpetration of any act, legal or illegal. The manufacturer assumes no liability for any damage to property, injury to person, or death.

Please feel free to contact us at service@versonel.com with any questions or visit us at www.versonel.com

Pre-installation

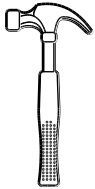
PLANNING INSTALLATION

Never attempt to turn the light head by hand as this can damage the internal motor components.



NOTE:
Before attempting any installation or maintenance, ensure that the electrical supply is switched off and the circuit fuses removed or the circuit breaker is in the "OFF" position.

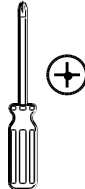
TOOLS REQUIRED (NOT INCLUDED)



Hammer



Safety goggles



Phillips screwdriver

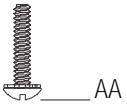


Level

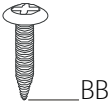
HARDWARE INCLUDED



NOTE: Hardware not shown to actual size.



AA



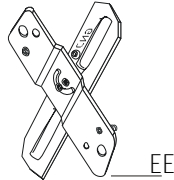
BB



CC



DD



EE



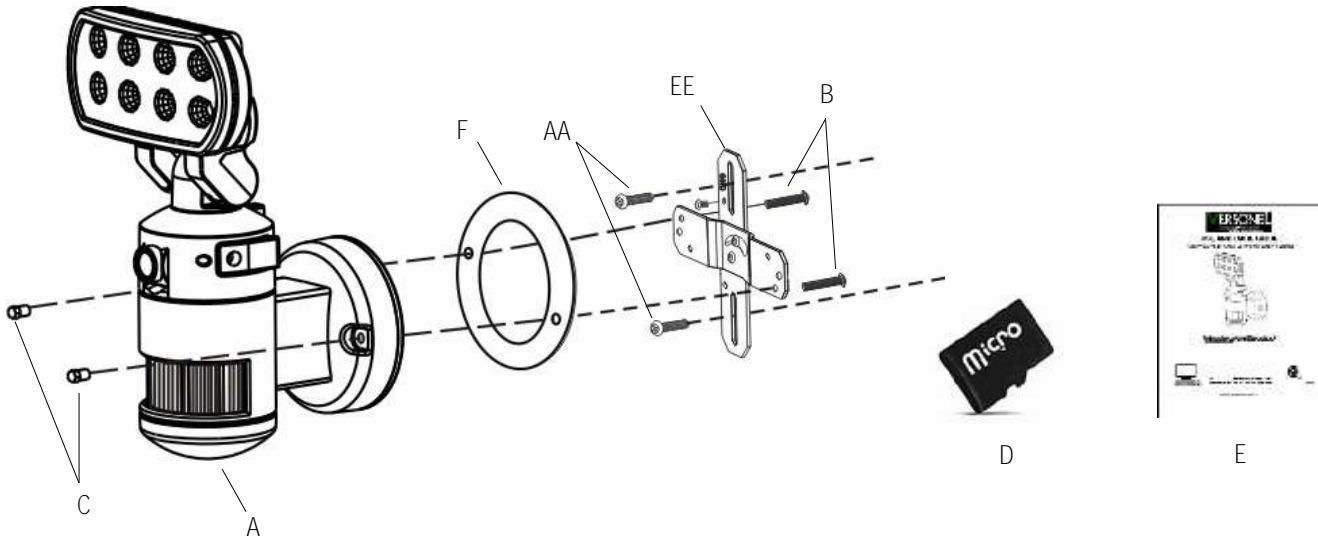
FF

Part	Description	Quantity
AA	Mounting screw	2
BB	Drywall screw	2
CC	Plastic masonry anchor	2
DD	Wire nut	3
EE	Cross bar	1
FF	Allen Key	1

Pre-installation (continued)

PACKAGE CONTENTS

NOTE:
 Nightwatcher is designed to illuminate, record video and produce audio warnings when a person enters the detection area. While it will detect a moving heat source, there is no guarantee implied that it will provide total security or prevent illegal entry.



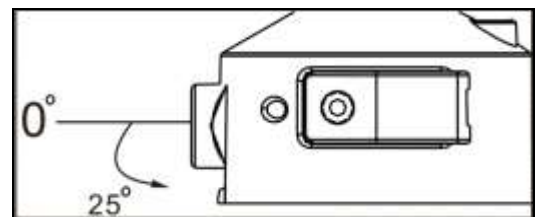
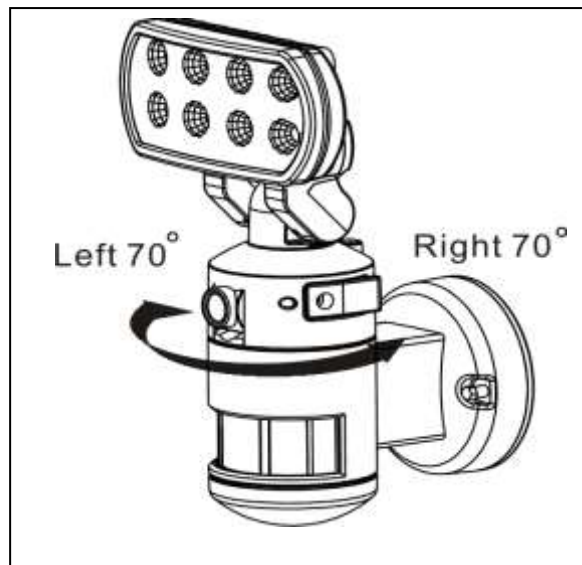
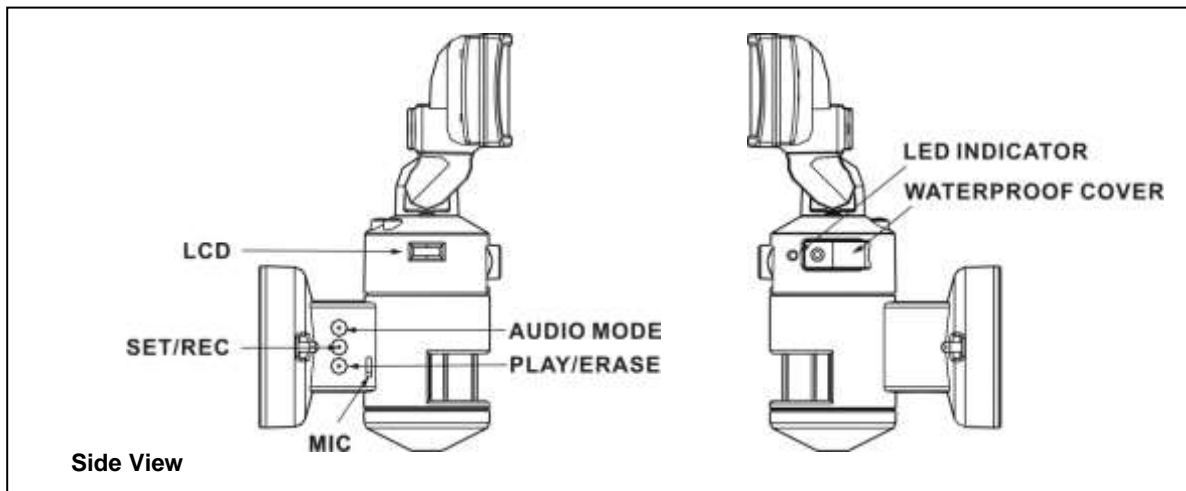
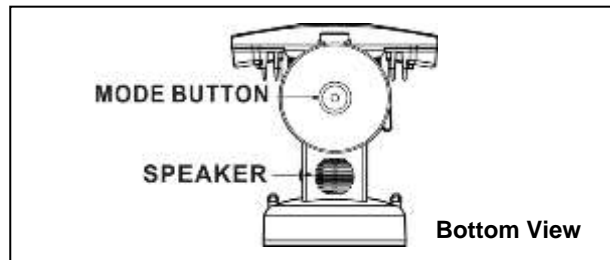
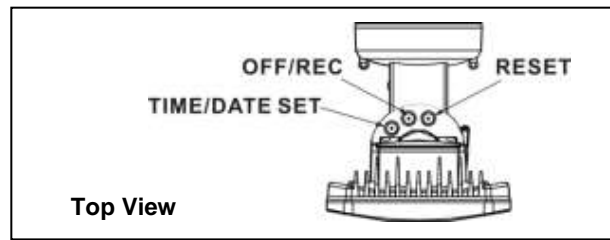
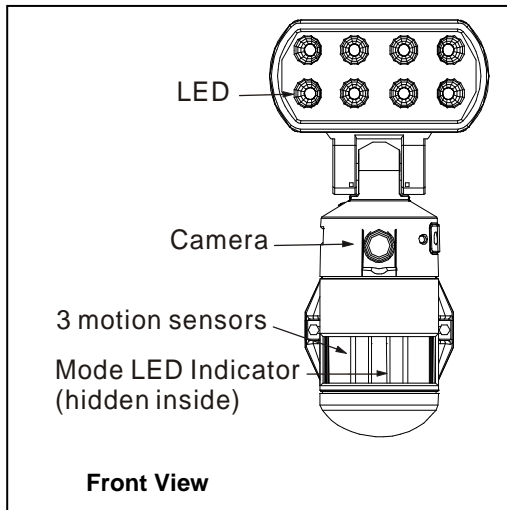
Part	Description	Quantity
A	Light fixture	1
B	Backplate screw	2
C	Screw nut	2
D	Micro card and card adapter (<i>Micro card is already inside the card compartment of the light</i>)	1
E	User manual	1
F	EVA gasket	1

SPECIFICATIONS

Detection Method	Passive infrared sensor (with continuous detect function)
Sensor Range	Up to 55ft x 220°
Power Source	AC120V 60Hz
Light Source	Nichia 1W LED x 8 (855 Lumens)
Illumination Time	Fixed at 3 minutes
IP Rating	IP55 (Weather-Proof) Suitable for outdoor permanent use

- Records 20 second video events at 15 frames per second. 720 pixels (HD) resolution.
- Built-in Micro card slot for Micro memory card
- Micro card slot can accommodate up to **32GB (SDHC)** (note: This unit is not compatible with SDXC)
- Micro card video file format: FAT or FAT16 (SD) FAT32 (SDHC)
- Automatic exposure control, white balance and sharpness
- Effective viewing angle: 40 deg
- Effective viewing distance: 7.9 m (26.2 ft.)
- Image format: JPEG AVI File

Nightwatcher Overview



Camera angle adjustable downward by 25 degrees

Installation

1 Mounting and wiring the light fixture



DANGER:
Incorrect voltage may cause electric shock. If you are not sure, please contact your retailer.



CAUTION:
Do not remove the tape until you finish the installation. If the tape comes off the light, please replace it or hold the light head to avoid swiveling and damage to the product.



CAUTION:
LED lamps are extremely bright. Under no circumstances should you stare into an LED beam since this may cause irreparable damage to the eye.



IMPORTANT:
Please make sure the voltage and polarity are correct before connection.

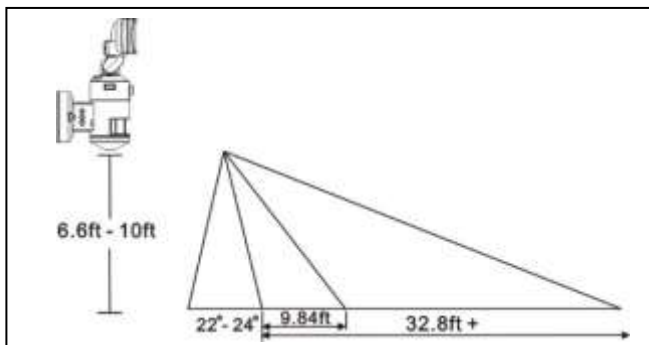


NOTE:
To ensure correct operation of the sensor, mount the light fixture so that the traffic passes across the detector.

For optimum performance the recommended mounting height of the unit has to be between 2m (6.6ft) and 3m (10ft) – **with 2.5m (8ft) the best performance height** - Do not mount the unit higher than 3 meters (10ft) as this will affect the detection functions of the unit.

When selecting your installation area **it's important** to be aware of positioning the Night Watcher fixture sight line due to possible factors that could cause false triggering; such as direct sunlight, window reflection, air condition units, swimming pool reflection, direct street lighting or large vegetation in the installation area.

To prolong the lifespan of the Night Watcher fixture it is advised to install the unit in a selected area that is not directly exposed to extreme weather conditions and if possible under an eave based on the recommended mounting height.

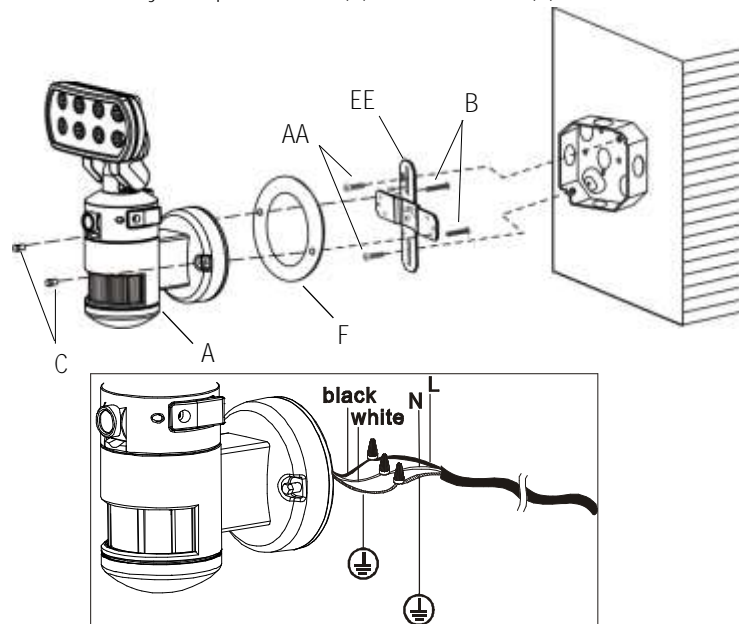


Recommended installation height

2 Mounting and wiring the light fixture (Continued)

Installing your Nightwatcher on a wall or building surface - use cross bar

- Attach the crossbar to junction box and fix by mounting screw (AA).
- Connect the black wire (live wire) from the AC power cord to the single black wire coming from unit using one of the supplied wire nuts (DD).
- Connect the white wire from the AC power cord to the white wire coming from unit using one of the supplied wire nuts (DD).
- Connect the green/yellow wire from the AC power cord to the green/yellow wire coming from unit using one of the supplied wire nuts (DD).
- Make sure the polarity is correct.
- Attach the unit (A) and EVA gasket (F) to the crossbar (EE) and fix by backplate screw (B) and screw nut (C).



CAUTION:
Please allow 1 minute warm-up time after switching on. Do not touch unit during warm-up time to avoid interruption of start-up sequence. Push the RESET button after switching on.

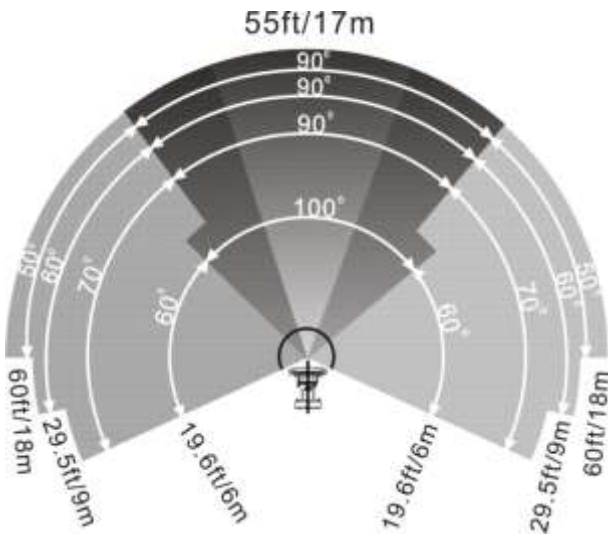


IMPORTANT:
Remove the security tape from unit and plastic lens cover from camera after installation.

Operation

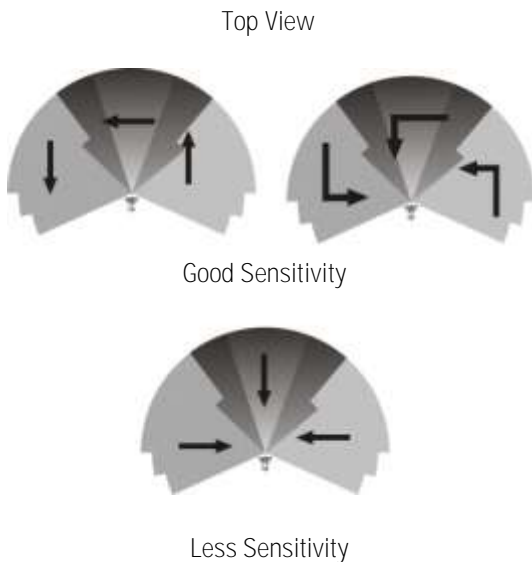
1 Detection range

- This light is equipped with three motion sensors: zone 1 covers 60 degrees, zone 2 covers 100 degrees and zone 3 covers 60 degrees. There is a 220 degree maximum total in all three zones.



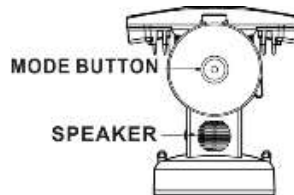
Ensuring correct operation

- To ensure correct operation of the sensor, mount the light fixture so that the traffic passes across the motion sensor.



2 Adjusting the settings

- **Selecting working mode:** There is a "Mode" LED indicator hidden inside the motion detector window that will display different colored lights when switching between modes. Once a mode has been selected, the colored LED light will turn off after 30 seconds.



- **Mode 1: Recommended for home or business** (default setting)
 - Camera will follow motion and record during the day and night
 - Light will illuminate at night only
 - Speaker will operate at night only
- **Mode 2:**
 - Light illuminates during the day and night
 - Camera records motion during the day and night
 - Speaker operates during the day and night
- **Mode 3:**
 - Camera will follow motion and record during the day and night
 - Light will illuminate at night only
 - Speaker will operate during the day only



NOTE:

For the above 3 modes, after audio has been triggered, no audio will be triggered again during the following 30 seconds.

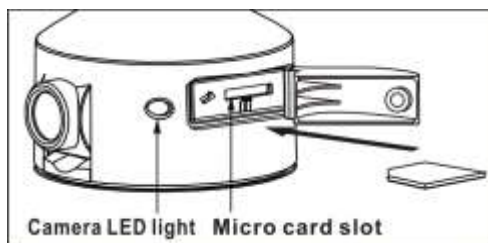
	Mode LED indicator (Hidden inside the lens)	Symbol
Mode 1	RED	
Mode 2	ORANGE	
Mode 3	GREEN	

Operation (continued)

3 Adjusting the settings

Camera LED indicator

- The LED light next to the card compartment indicates the function status of the camera by using different colored LED lights.
 - **Red:** Micro card is not inserted into the Micro card slot or the system is malfunctioning.
 - **Green:** The unit is recording.
 - **LED OFF:** Stand by mode. (Micro card is inserted into the slot but not recording.) Also the LED will turn off when OFF/REC button is pressed.



NOTE:
Before removing the micro card from the slot, please press the mode button on the bottom of the Nightwatcher for 3 seconds to stop the light from turning – the “Mode” LED will flash orange. To resume working, press the mode button once.

NOTE:
When OFF/REC button is pressed, remove micro card within 30 seconds (now the LED will turn red after micro card is removed from the slot).

NOTE:
Please reformat your SD card every 6 months for optimal performance.

- **Static mode :** this is a new option to allow the end-user's or consumers to select between a motorized LED head or a standard static directional light head. Press the push-button for 3 seconds to stop the light turning, **the hidden LED will flash in a quick flash pattern, please refer below for details.** To resume working, press the push-button for 3 seconds again.

	Mode LED indicator (hidden inside the lens)	Symbol	Static mode (hidden LED)
Mode 1	RED		Flash RED
Mode 2	ORANGE		Flash ORANGE
Mode 3	GREEN		Flash GREEN

4 Removing and formatting the memory card

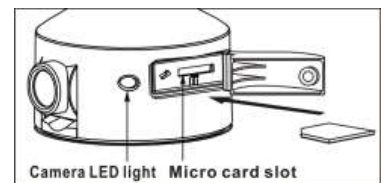
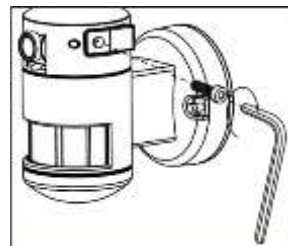
- Before removing the micro card from the card slot, please press the mode button on the bottom of the Nightwatcher for 3 seconds to stop the light from turning – **the 'Mode' LED will flash orange.** (To resume working, press the mode button again.)
- If you want to remove the micro card to view recorded files, please press OFF/REC button and take out the micro card within 30 seconds.
- To remove micro card, open the card compartment using the provided Allen key and push in Micro card to eject then pull out.
- For viewing and/or formatting, please slide the micro card into the card adapter that has been provided. Then, slide the card adapter into the card slot on your laptop.

Formatting the micro card

- It is good practice to format the micro card each time it is removed and files are viewed on your PC. Once the necessary files have been saved to your computer, please follow these steps for formatting.

To format the micro card

- Please ensure that any required images are saved to an alternative folder prior to formatting.
 - Place micro card into the card adapter supplied
 - Place the adapter in a spare card slot on your PC / Laptop
 - Right click on the micro card location
 - Select Format
 - Ensure the correct file system is selected FAT16 (or FAT) for SD and FAT32 for SDHC
 - Select quick format



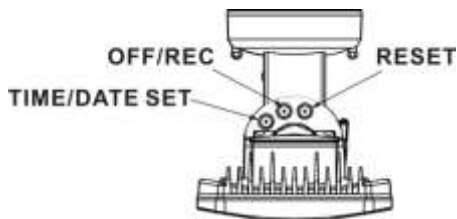
5 On-board controls



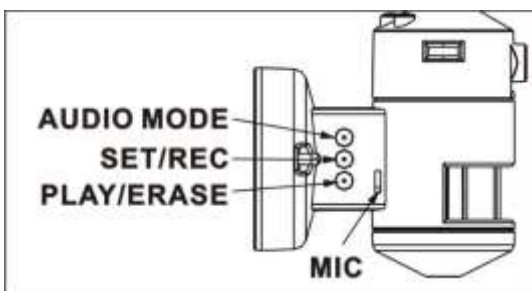
NOTE:

You must press the “Mode” button on the bottom of the unit for 3 seconds to disable the rotation of the light.

- **Reset button:** restore functions to default settings
 - Press RESET button once each time you turn on unit.
 - In case of system malfunction, please press once.
- OFF/REC:** Please press OFF/REC button to remove micro card. Please remove card within 30 seconds of pressing the OFF/REC button to avoid loss of data.



- **Audio mode:** for selecting which audio message will play when motion sensor detects movement.
 - Pre-set default is “silent mode”
 - Push once for “doorbell chime”
 - Push again for “dog barking”
 - Push once more for the message you recorded (Message 1)
 - Push again for additional message you recorded (Message 2- you can record up to 2 messages at a time)



6 Recording audio message

- **Recording:**
 1. Press the SET/REC button for 3 seconds, and you will hear a single beep. After the beep, start recording your message by talking into the microphone. Push the button again to stop recording, and you will hear a series of 2 beeps, meaning the recording is finished. If you do not push the button again after you have recorded the message, the recording will stop automatically after 10 seconds.
 2. The Nightwatcher can hold 2 custom-recorded messages. If you have recorded one message, repeat above step for message 2.
 3. If you hear a series of 3 beeps when you want to record your message by pressing the SET/REC button for 3 seconds, this means the self-recorded messages are full, please erase previous messages.
- **Play/Erase:** allows you to listen to and erase messages
 1. If you have only recorded 1 message, push the button one time to listen to recorded Message 1. If you wish to erase it, press the PLAY/ERASE button and hold it for 3 seconds. You will hear a series of 2 beeps, indicating the message has been erased.
 2. If you have recorded 2 messages, push the button one time to listen to the first message, and push it again to listen to the second message. If you want to erase a message, select that message, and after listening to it, push the PLAY/ERASE button and hold it for 3 seconds to erase it.
 3. If message 1 is erased, message 2 will automatically become message 1. The next message you record will then become the new message 2.



Operation (continued)

7 Setting the time and date



NOTE:
Time and Date must be set on the unit or it will not record.

- This will allow the security video taken by Nightwatcher to display the correct date and time it was taken.
 1. Push **TIME/DATE SET** button for 3 seconds. The LCD screen will flash 3 times indicating you have entered Time/Date setting mode.



2. **"YEAR" setting:** "Y" and "10" are displayed on the screen. Push the TIME/DATE SET button to set year from "10-99." Holding this button for 3 seconds will enable rapid scrolling through numbers. If the button has not been pressed for 3 seconds, it will automatically save the year and advance to allow you to set the month.



3. Repeat this same procedure for the TIME.

4. **"VIDEO/PHOTO" setting:** when entering this mode, these two icons and and "V" appear on the screen. Push the button to choose "V" (Video) or "P" (Photo). If you have not pushed any buttons for 3 seconds, "OK" will appear on the screen, indicating it has automatically saved the current settings. The LCD screen will shut off automatically 10 seconds later



5. On the "P" (photo) setting, Nightwatcher will take a series of digital photographs at a rate of 1-3 photos every second when the motion sensor is triggered

①		Start	②		YEAR Setting
③		MONTH Setting	④		DATE Setting
⑤		HOUR Setting	⑥		MINUTE Setting
⑦		VIDEO/PHOTO Setting	⑧		Finish



NOTE:
In the event of a power outage please check that the time and date have been retained

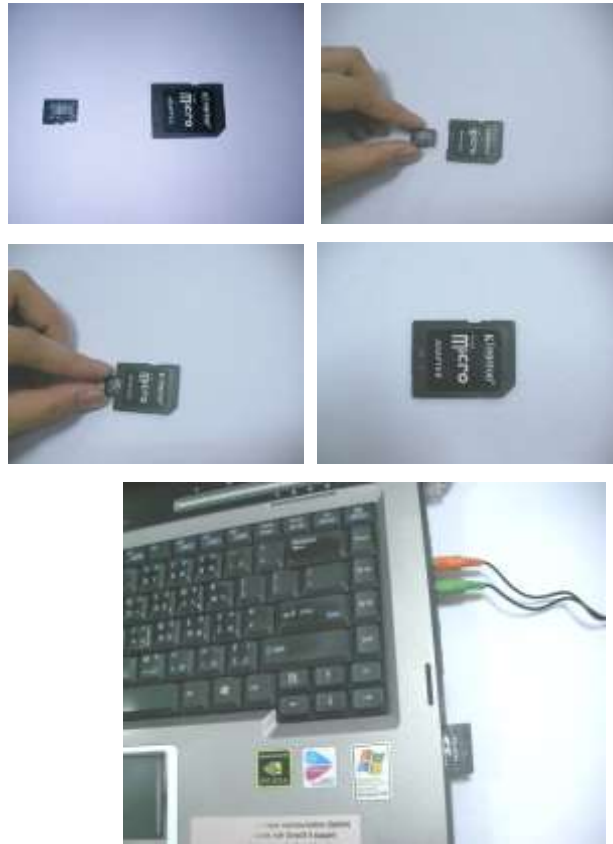


NOTE:
The unit comes supplied with an internal 3 day standby battery for the Time and Date only. This battery is rechargeable and does not need to be replaced (This should be sufficient for most cases of power outages)

8 Viewing recorded videos

Viewing Image by computer through a card reader.

- Press the push button on the bottom of the unit for 3 seconds to disable the unit.
- Open the waterproofed cover on the unit.
- Press OFF/REC button and take out the micro card within 30 seconds.
- To remove Micro card, press on micro card to eject then pull out.
- Slide micro card into supplied card adapter as indicated in the pictures at right.
- If your computer has a card slot you may insert the micro card directly into the computer. Otherwise you will need to use a USB card reader (not supplied).
- Once your computer is powered on, insert the card adapter into your computer. Regardless of whether you are using Windows or MAC OS, your card should be recognized by your computer after a few seconds.
- Follow the instructions of your computer to view the contents of the removable storage device (micro card). Each recorded event will be listed in order by date. Simply click on the filename to view the file.
- After viewing the files, remove the card from your computer and remove the micro card from the adapter.
- Insert the micro card into the slot on the light until it is secure. Then close the card compartment door and tighten the screw with the Allen key.
- **Press the "Mode" button** once to resume normal tracking operation.



Troubleshooting

1. The LED light head does not move.

This may occur when an event causes the head to move out of alignment or obstructs the movement of the light head.

Remedy: Turn the circuit breaker off for about 10 seconds and then turn back on. The light should go through its set up routine and adjust the head for proper operation.

2. The Night Watcher has stopped recording to the micro Card

Remedy: The date needs to be set for the Night Watcher to record correctly. If there has been a prolonged power outage, the date will need to be reset. Check the LED beside the camera lens. It should be GREEN when it is recording. If it is RED press the reset button on top of the unit. If it is still RED check that the micro card is installed correctly.

3. There are no recorded files on the micro card

The micro card may have been removed incorrectly and the files may be corrupted, or the card may be in the wrong format. **Remedy:** Format the micro card (FAT format for SD and FAT32 format for SDHC).

4. The computer is unable to open the files on the micro card

You may need to update your computers drivers for your card reader, or use the USB card reader.

5. The camera LED indicator is flashing red or staying red.

This may occur when a power failure happens during recording. This will cause 3 situations:

A. Hidden files which will occupy the space of memory card B. Bad sector C. memory card damage

Remedy: Format memory card if it's A and B situation. Please check page 8 "To format the Memory Card" for details. If the memory card can't be formatted or can't be read, it's damaged. Please purchase a new one from the store.

Care and Cleaning

- The Nightwatcher is designed to be weather resistant. Never attempt to immerse the unit in water or any other liquid. This will damage the unit and void the warranty.
- Use a soft lens cloth for cleaning camera lens. Avoid touching lens with fingers.
- Remove dirt or stains with a soft cloth dampened with water or mild detergent.

F.A.Q. (Frequently Asked Questions) Section

Q: How many videos does the memory card hold?

A: The number of video files that amount to 4GB varies, as the size in bytes of each 20-second video clip will vary depending on the amount of brightness, color, and movement in each video clip. The included 4 GB micro card will hold approximately 1200 video events of 20 seconds each. Higher capacity micro cards may also be used for added storage, up to a maximum storage capacity of 32GB (SDHC)

Q: What happens when the card is full?

A: It automatically overwrites the oldest file with the latest video clip – this means you do not have to remove the memory card unless you wish to review or save the video files

Q: Can I view a live image?

A: No, the unit records only.

Q: Can I change the “light illumination time”?

A: No, it has been programmed to illuminate for 3 minutes per motion detection. If movement continues in the area, the light will continue to illuminate.

Q: Can I transfer pictures from the camera via cable?

A: **No you can't. You will need to remove** the micro card and use the micro card adapter or USB micro card adapter (included). Please see Step 4: Viewing video in the programming instructions.

Q: Can the Lux setting be changed?

A: No this is fixed for optimum performance

Q: Why does the camera LED indicator stay red light when the micro card is already placed?

A: The micro card is not properly locked in the unit, please remove and place it again. If it still stays red light, please check by placing the micro card in a spare card slot on your PC/laptop. If your PC/laptop can't read or find the micro card, the micro card may be damaged.



Retain this manual for future use.